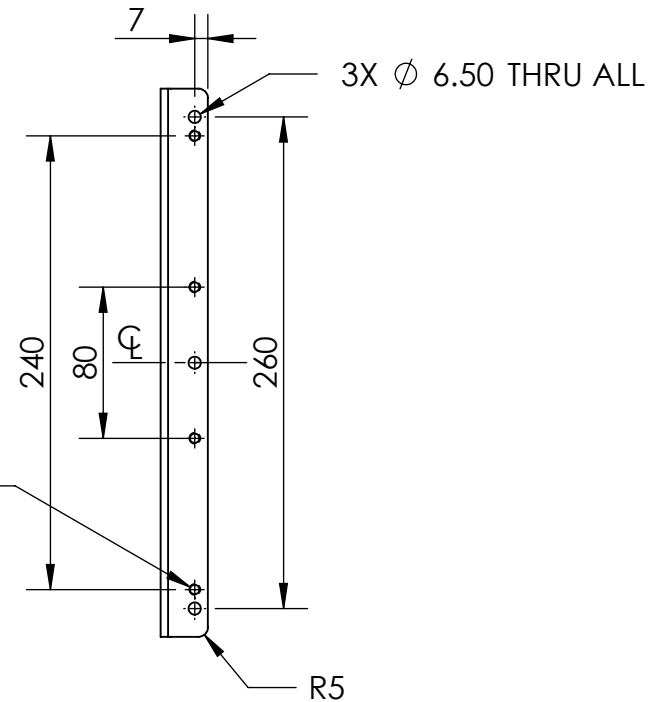
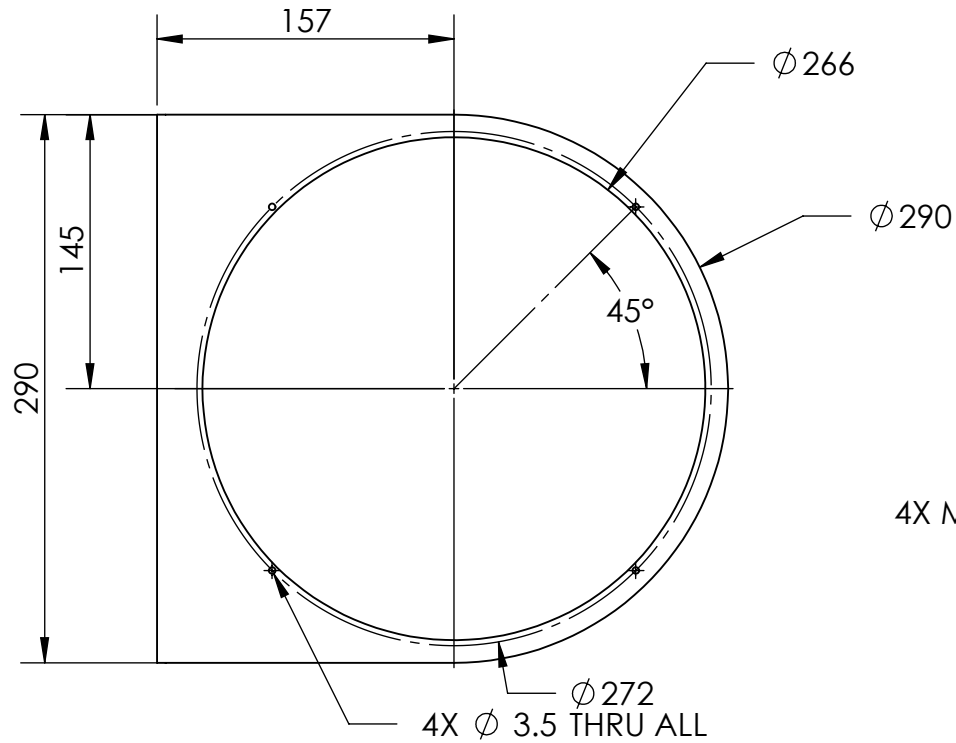
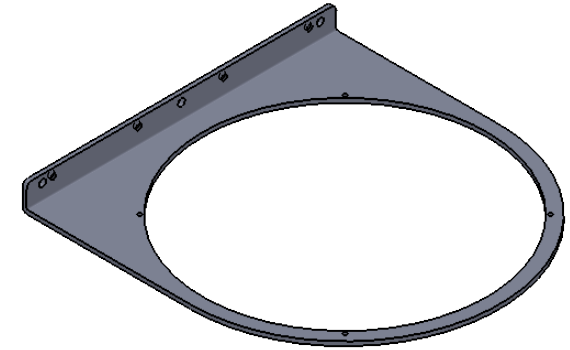
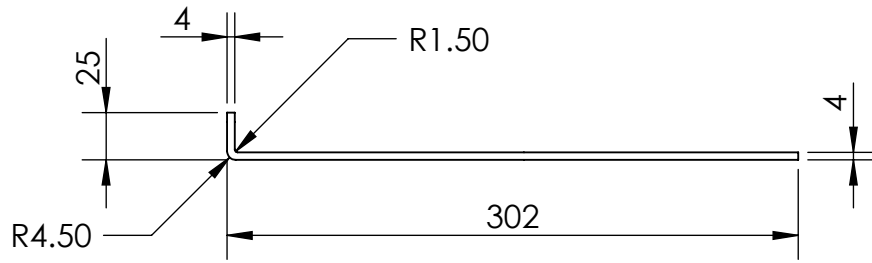


REVISIONS

ZONE	REV.	DESCRIPTIONS	DATE	APP.
------	------	--------------	------	------



DESIGN BY	KB TAN	UNIT: MM	PRODUCT SERIES: IDS4 SERIES				
CHECK BY	KB TAN						
DATE	17/11/2016	REVISION: 01	TITLE	MOUNTING TOP BRACKET	COLOUR:	-	-
MATERIAL	ALU	SCALE: 1 : 4	PART NO	IDS4-00-250-1-X-BRACKET	VOLTAGE:	-	-
FINISHING	POWDER COAT 774 BLACK		DWG NO	IDS4-00-250-1-X-24V-05(REV01)	CURRENT:	-	-
QTY	1				POWER:	-	-
					SHEET 4 OF 4		